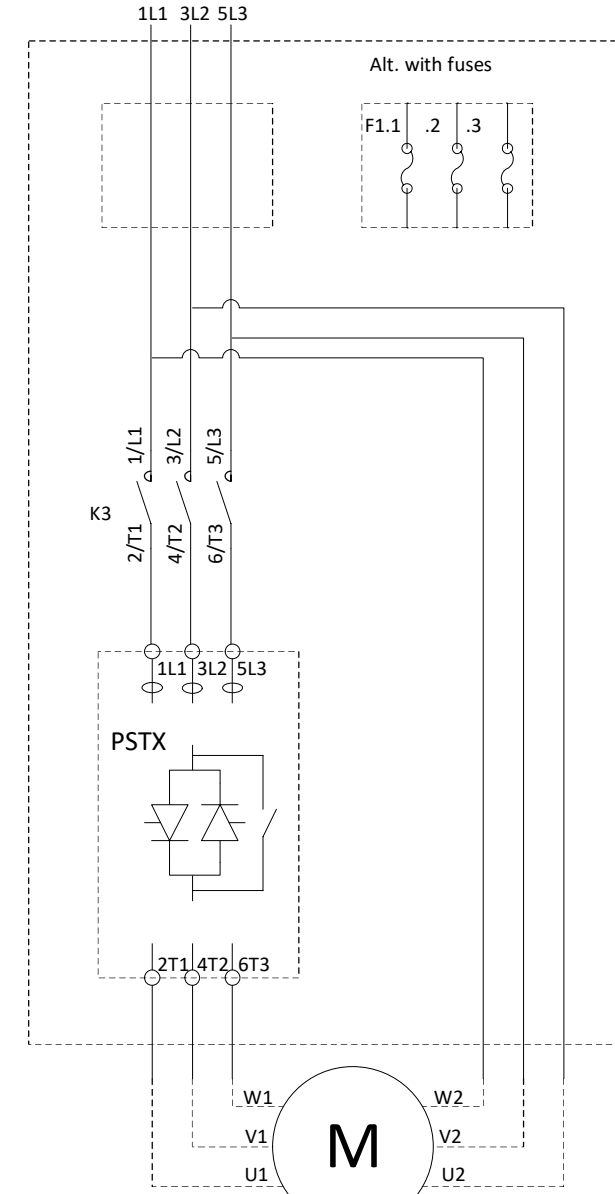
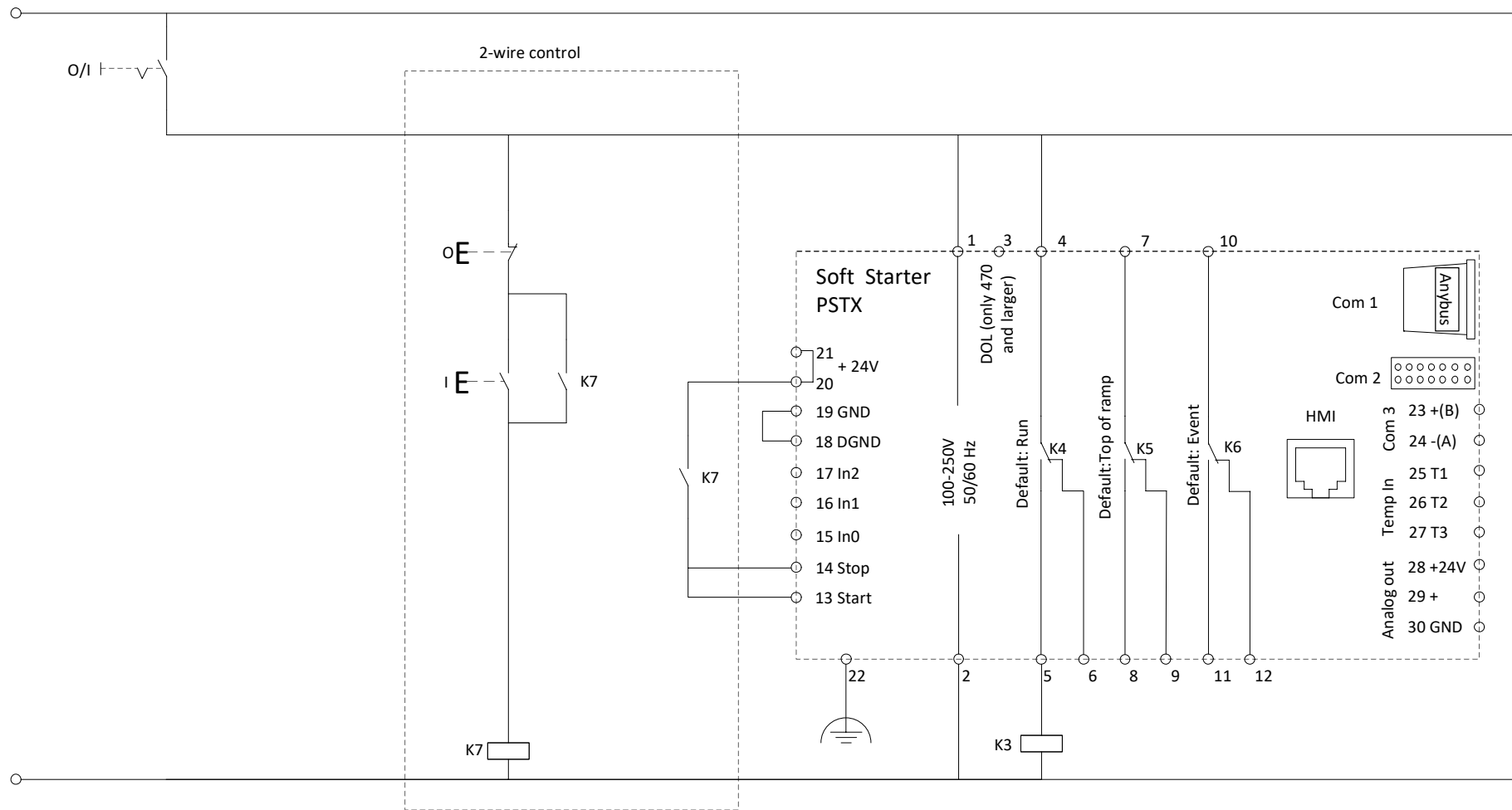


PSTX30...1250

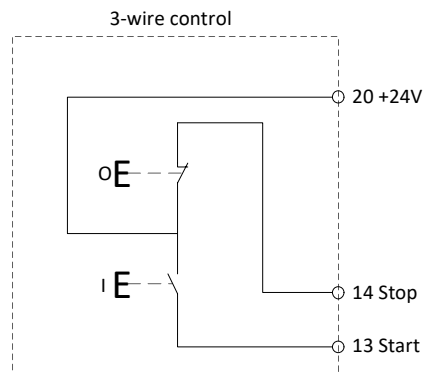
Inside Delta

Rev	Pos	Description	Date	Sign.
A		New document		
B		Updated information text	161029	BJ
C		Moved contactor connection due to snubber circuit	200117	BJ
D		Moved fuses outside delta	231121	BJ



Coil consumption for Inside Delta contactor.
 Pull-in max 15A
 Holding max 1,5A

If the pull-in or holding values are
 Higher, the Inside Delta contactor must be controlled via
 an auxiliary contactor.



Created By Björn Johansson	State Approved	Responsible dep RE	Title Application diagram PSTX Inside delta	Lang EN
Approved By Stefan Lundin	Approved Date 231122	Revision D	Document Number 1SFB536005G5001	Size A3
ABB ABB AB, Control Products				Sheet 1 of 1

We reserve all rights in this document and in the information contained therein. Reproduction, use or disclosure to third parties without express authority is strictly forbidden. Copyright ABB.

Proprietary and secret information

秘密文件，经手人负有保密义务；未经授权而披露，权利人享有追偿权利。